

1. SPECIFICATION

APD-1603-PA

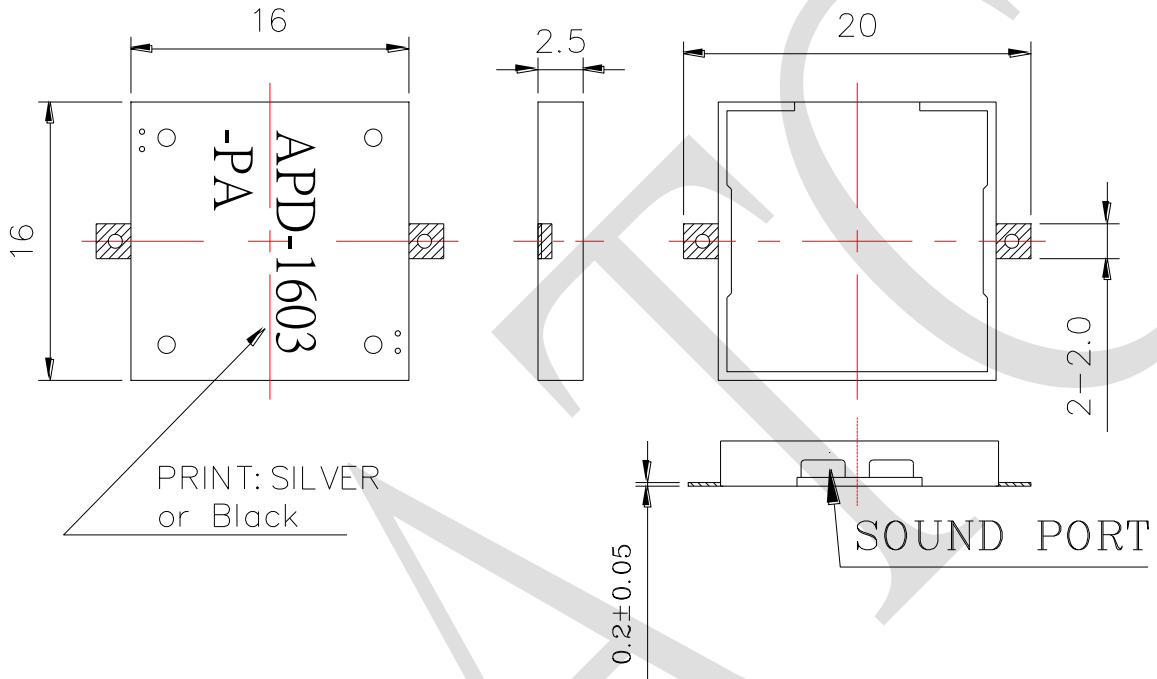
ITEM		UNITS	SPECIFICATIONS	CONDITIONS
01	Rated Voltage	V	3	Vp-p (Square Wave)
02	Operating Voltage	V	1~25	
03	Rated Current	mA(Max)	3	Rated Voltage
04	Sound pressure level (Distance at 10cm)	dBA(Min)	70	Rated Voltage Rated Frequency
05	Resonant Frequency	Hz	4000± 500	Rated Voltage
06	Capacitance	pF	14000±30%	At 100Hz

REV NO.

REVISION NOTE

APPROVAL

DATE



RoHS

TITLE: SMD PIEZO BUZZER		DRAWN: Moose	2019-01-04	SCALE: 2:1	SHEET: 1 of 1
PART NO. APD-1603-PA		DESIGNED: R&D OF AAT	UNITS: mm		
DWG NO. SMD-160025H-03040T		CHECKED:	TOLERANCE ± 0.5		
		APPROVAL:	UNLESS OTHERWISE SPECIFIED:		
		MATERIAL: LCP	ONE PLACE DECIMAL ± ***		
3				TWO PLACE DECIMAL ± ***	
REV				THREE PLACE DECIMAL ± ***	



ADVANCED ACOUSTIC TECHNOLOGY CORPORATION

For more information, please contact AATC.

AATC