
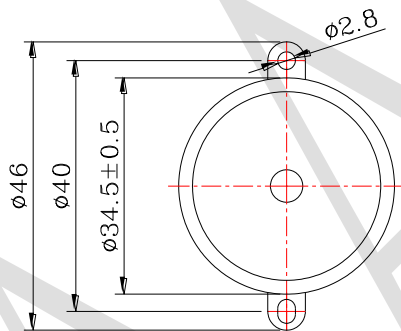
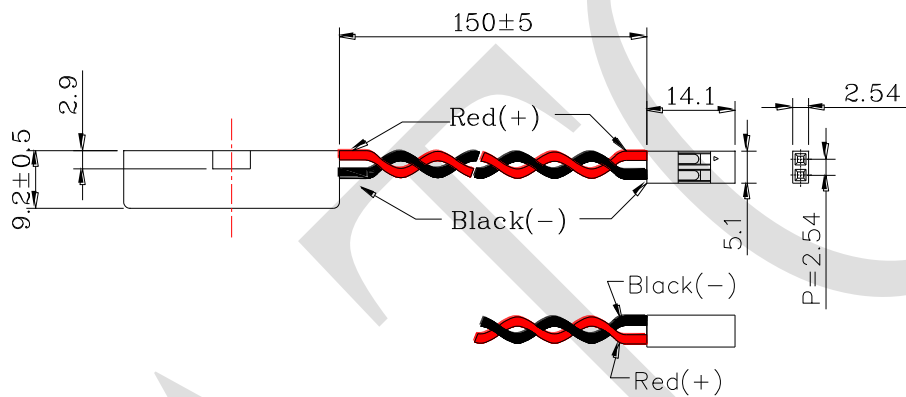
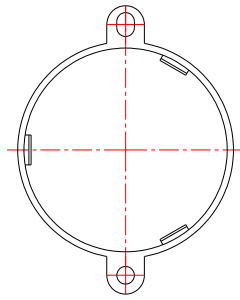


# 1. SPECIFICATION

AZ-3511E-C4

ITEM		UNITS	SPECIFICATIONS	CONDITIONS
01	Rated Voltage	V	10	 Square wave 1/2 duty.
02	Operating Voltage	V	1~ 30	
03	Consumption Current	mA (Max)	5	
04	Sound pressure level (Distance at 10cm )	dB(A) (Min)	81	Rated voltage, rated frequency.
05	Capacitance	pF	43000±30%	At 120Hz
06	Rated Frequency	Hz	1100± 500	

REV NO.	REVISION NOTE	APPROVAL	DATE
---------	---------------	----------	------



CONNECTOR :Equivalents to 杜邦 2541-1h-2  
WIRE: UL1095 ,AWG28

RoHS

TITLE: <b>PIEZO BUZZER</b>		DRAWN: <b>Moose</b> 2018-01-17	SCALE: 1:1	SHEET: 1 of 1
PART NO. <b>AZ-3511E-C4</b>		DESIGNED: R & D OF AAT	UNITS: mm	
DWG NO. <b>UGPA35C1110WC150</b>	<b>2</b> REV	CHECKED:	TOLERANCE ± 0.5	
		APPROVAL:	UNLESS OTHERWISE SPECIFIED:	
		MATERIAL: <b>ABS</b>	ONE PLACE DECIMAL ± ***	
			TWO PLACE DECIMAL ± ***	
			THREE PLACE DECIMAL ± ***	



**ADVANCED ACOUSTIC TECHNOLOGY CORPORATION**

For more information, please contact AATC.

AATC