


# 1. SPECIFICATION

AZ-4720E-W-LF

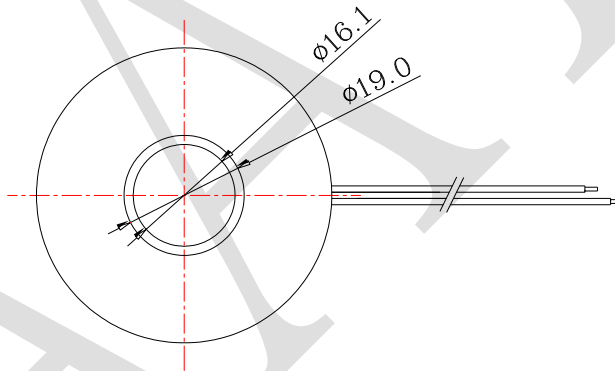
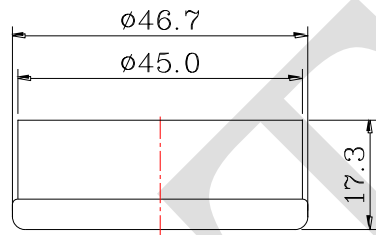
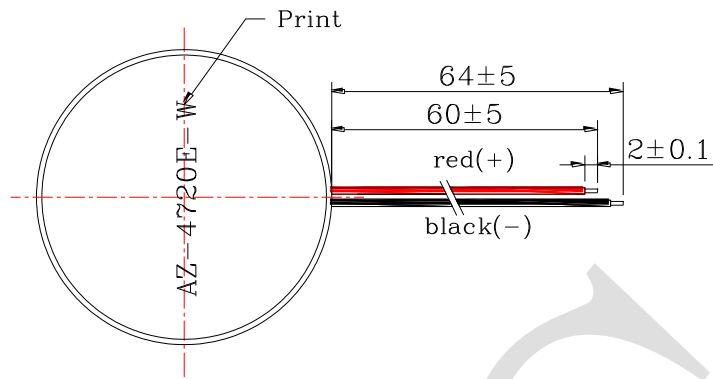
ITEM		UNITS	SPECIFICATIONS	CONDITIONS
01	Rated Voltage	V	10	 Square wave 1/2 duty.
02	Operating Voltage	V	1~ 30	
03	Consumption Current	mA (Max)	30	
04	Sound pressure level (Distance at 30cm )	dB(A) (Min)	90	Rated voltage, rated frequency.
05	Capacitance	pF	150000±30%	At 120Hz
06	Rated Frequency	Hz	2500	

REV NO.

REVISION NOTE

APPROVAL

DATE



WIRE: UL 1571. AWG28#

TITLE:	PIEZO SPEAKER	DRAWN:	Moose	2018-04-20	SCALE: 1:1	SHEET: 1 OF 1
PART NO.	AZ-4720E-W-LF	DESIGNED:	R & D OF AAT		UNITS:	mm
DWG NO.	AZ-4720E-W	3 REV	CHECKED:		TOLERANCE ± 0.5	
			APPROVAL:		UNLESS OTHERWISE SPECIFIED	
			MATERIAL:	ABS	ONE PLACE DECIMAL ± ***	
					TWO PLACE DECIMAL ± ***	
					THREE PLACE DECIMAL ± ***	



ADVANCED ACOUSTIC TECHNOLOGY CORPORATION

For more information, please contact AATC.

AATC