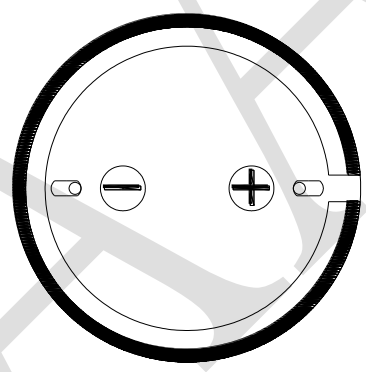
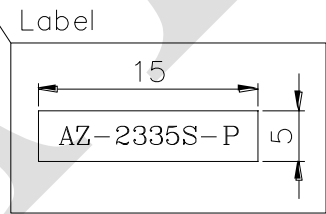
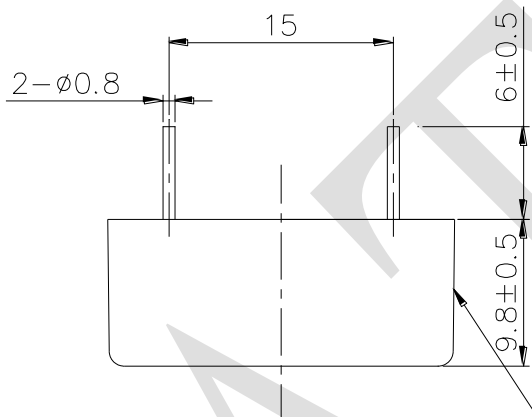
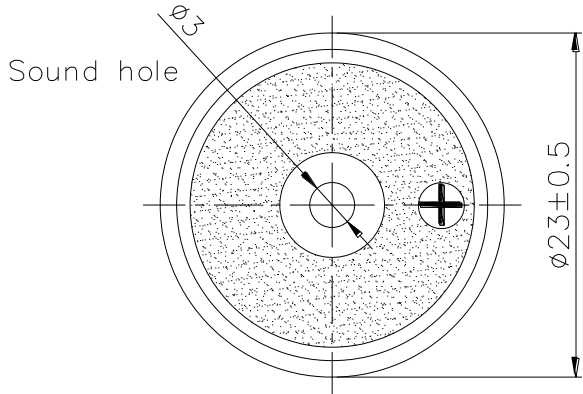


# 1. SPECIFICATION

AZ-2335S-P-LF

ITEM		UNITS	SPECIFICATIONS	CONDITIONS
01	Rated Voltage	V	12	
02	Operating Voltage	V	1.5 ~ 28	
03	Consumption Current	mA (Max)	10	Rated Voltage
04	Resonant Frequency	Hz	3500± 300	Rated Voltage
05	Response times	ms	≥ 100	
06	Sound pressure level	dB(A) Min.	90	Distance at 10cm Rated Voltage / Resonant Frequency

REV NO.	REVISION NOTE	APPROVAL	DATE
---------	---------------	----------	------



RoHS

TITLE:	PIEZO BUZZER	DRAWN:	Zack	2018/04/25	SCALE:	2:1	SHEET:	1 of 1
PART NO.	AZ-2335S-P-LF	DESIGNED:	R & D OF AAT		UNITS:	mm		
DWG NO.	UGPA23GX3512P	3 REV	CHECKED:	TOLERANCE ± 0.5				
			APPROVAL:	UNLESS OTHERWISE SPECIFIED:				
			MATERIAL:	ONE PLACE DECIMAL ± ***				
			PBT	TWO PLACE DECIMAL ± ***				
				THREE PLACE DECIMAL ± ***				



ADVANCED ACOUSTIC TECHNOLOGY CORPORATION

For more information, please contact AATC.

AATC