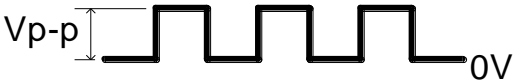
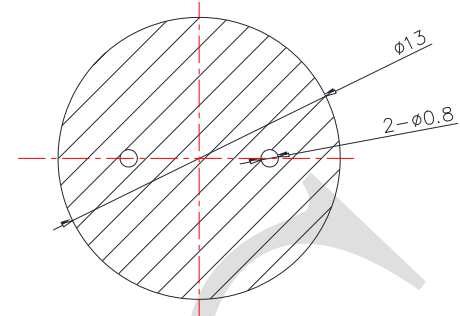
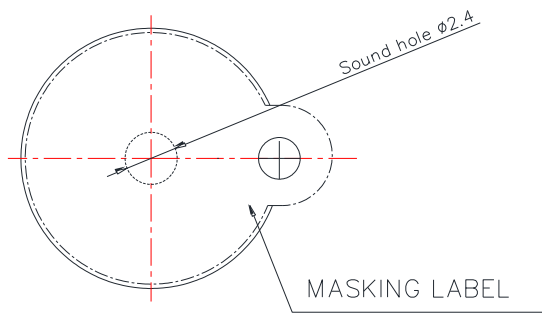


1. SPECIFICATION

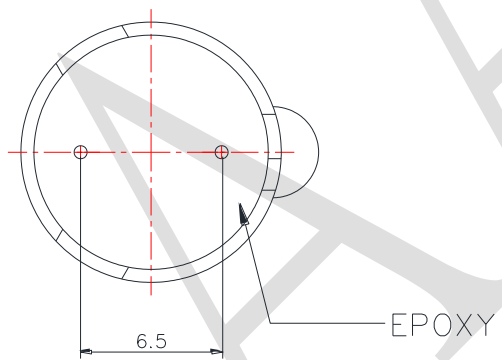
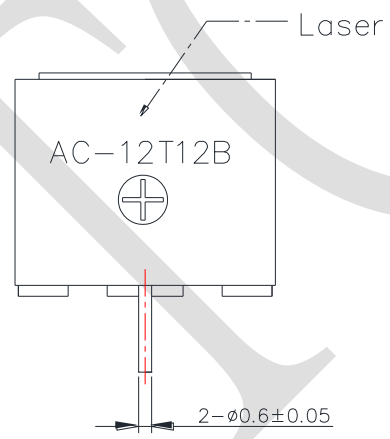
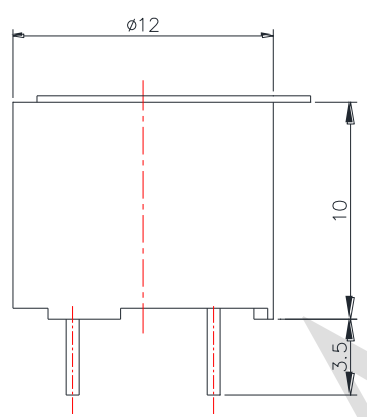
AC-12T12B

ITEM		UNITS	SPECIFICATIONS	CONDITIONS
01	Rated Voltage	V	12	
02	Operating Voltage	V	6 ~ 15	
03	Consumption Current	mA Max.	80	Standard state, standard drive circuit. Square wave 1/2 duty.
04	Sound pressure level (Distance at 10cm)	dB(A) Min.	85	Rated voltage, rated frequency.
05	Direct Current Resistance	Ω	140 \pm 21	
06	Rated Frequency	Hz	2400	

REV NO.	REVISION NOTE	APPROVAL	DATE
---------	---------------	----------	------



RECOMMEND PCB LAYOUT



RoHS

TITLE: ELECTRO MAGNETIC BUZZER		DRAWN: Hank	2020-02-19	SCALE: 4:1	SHEET: 1 of 1
PART NO. AC-12T12B		DESIGNED: R&D OF AAT	UNITS: mm		
DWG NO. UGC1212G-05P3.5B-1	1 REV	CHECKED:	TOLERANCE ± 0.5		
		APPROVAL:	UNLESS OTHERWISE SPECIFIED:		
		MATERIAL: PBT	ONE PLACE DECIMAL \pm ***		
			TWO PLACE DECIMAL \pm ***		
			THREE PLACE DECIMAL \pm ***		



ADVANCED ACOUSTIC TECHNOLOGY CORPORATION

For more information, please contact AATC.

AATC