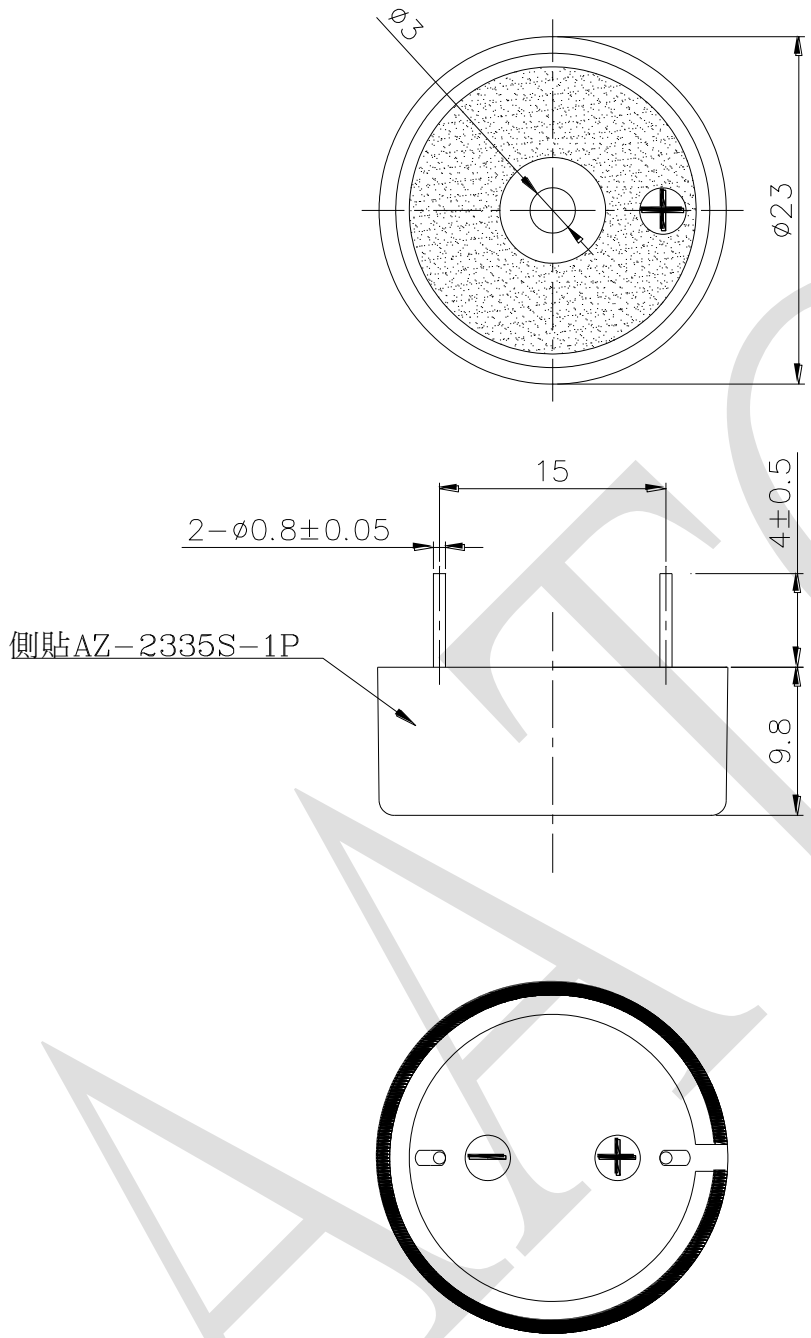


## 1. SPECIFICATION

AZ-2335S-1P

ITEM		UNITS	SPECIFICATIONS	CONDITIONS
01	Rated Voltage	V	12	VDC
02	Operating Voltage	V	1.5 ~ 28	
03	Rated Current	mA(Max)	10	Rated Voltage
04	Sound pressure level (Distance at 10cm )	dBA(Min)	90	Rated Voltage Rated Frequency
05	Rated Frequency	Hz	3500	Rated Voltage
06	Resonant Frequency	Hz	3500 ± 500	

REV NO.	REVISION NOTE	APPROVAL	DATE
---------	---------------	----------	------



RoHS

TITLE: <i>PIEZO BUZZER</i>		DRAWN: <b>Zack</b> 2013/01/08	SCALE: 2:1	SHEET: 1 of 1
PART NO. <i>AZ-2335S-1P</i>	1	DESIGNED: R & D OF AAT	UNITS: mm	
DWG NO. <i>UGPA23GX3512P4.0</i>		CHECKED:	TOLERANCE $\pm 0.5$	
REV		APPROVAL:	UNLESS OTHERWISE SPECIFIED:	
		MATERIAL: <i>PBT</i>	ONE PLACE DECIMAL $\pm$ ***	
			TWO PLACE DECIMAL $\pm$ ***	
			THREE PLACE DECIMAL $\pm$ ***	



ADVANCED ACOUSTIC TECHNOLOGY CORPORATION

For more information, please contact AATC.

AATC