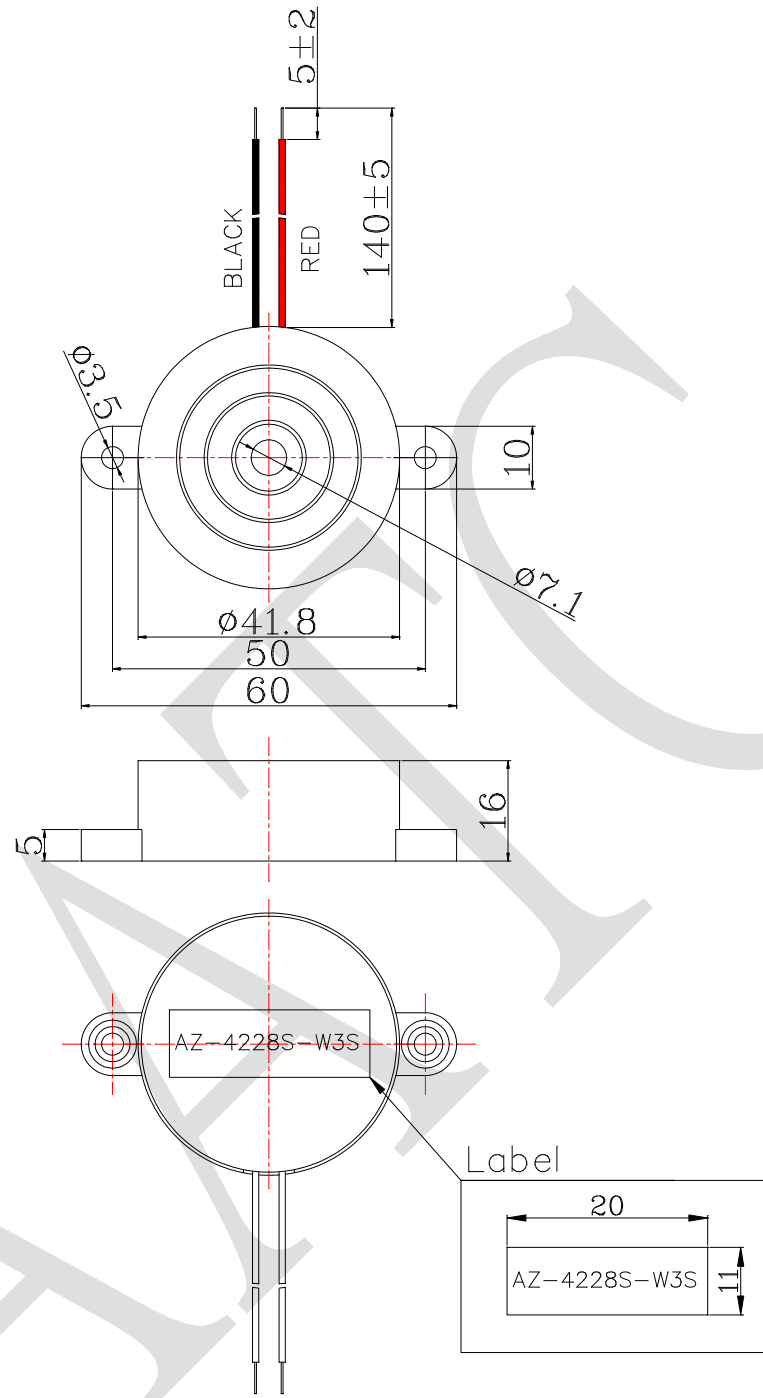


# 1. SPECIFICATION

AZ-4228S-W3S

| ITEM |                      | UNITS         | SPECIFICATIONS | CONDITIONS   |
|------|----------------------|---------------|----------------|--|
| 01   | Rated Voltage        | V             | 12             |  |
| 02   | Operating Voltage    | V             | 1.5~ 20        |  |
| 03   | Consumption Current  | mA<br>(Max)   | 10             | Rated Voltage  |
| 04   | Resonant Frequency   | Hz            | 2800± 500      | Rated Voltage  |
| 05   | Response times       | ms            | ≥ 100          |  |
| 06   | Sound pressure level | dB(A)<br>Min. | 96             | Distance at 30cm<br>Rated Voltage / Resonant Frequency |

|         |               |          |      |
|---------|---------------|----------|------|
| REV NO. | REVISION NOTE | APPROVAL | DATE |
|---------|---------------|----------|------|



WIRE: UL1007, 28AWG

RoHS

|                            |                        |                               |                     |
|----------------------------|------------------------|-------------------------------|---------------------|
| TITLE: PIEZO BUZZER        | DRAWN: SUNNY 2018-7-27 | SCALE: 2:1                    | SHEET: 1 of 1       |
| PART NO. AZ-4228S-W3S      | DESIGNED: R & D OF AAT | UNITS: mm                     | TOLERANCE $\pm 0.5$ |
| DWG NO. UGPA42CX2812W140-1 | CHECKED:               | UNLESS OTHERWISE SPECIFIED:   |                     |
|                            | APPROVAL:              | ONE PLACE DECIMAL $\pm$ ***   |                     |
| REV 4                      | MATERIAL: ABS          | TWO PLACE DECIMAL $\pm$ ***   |                     |
|                            |                        | THREE PLACE DECIMAL $\pm$ *** |                     |



ADVANCED ACOUSTIC TECHNOLOGY CORPORATION

For more information, please contact AATC.

AATC