
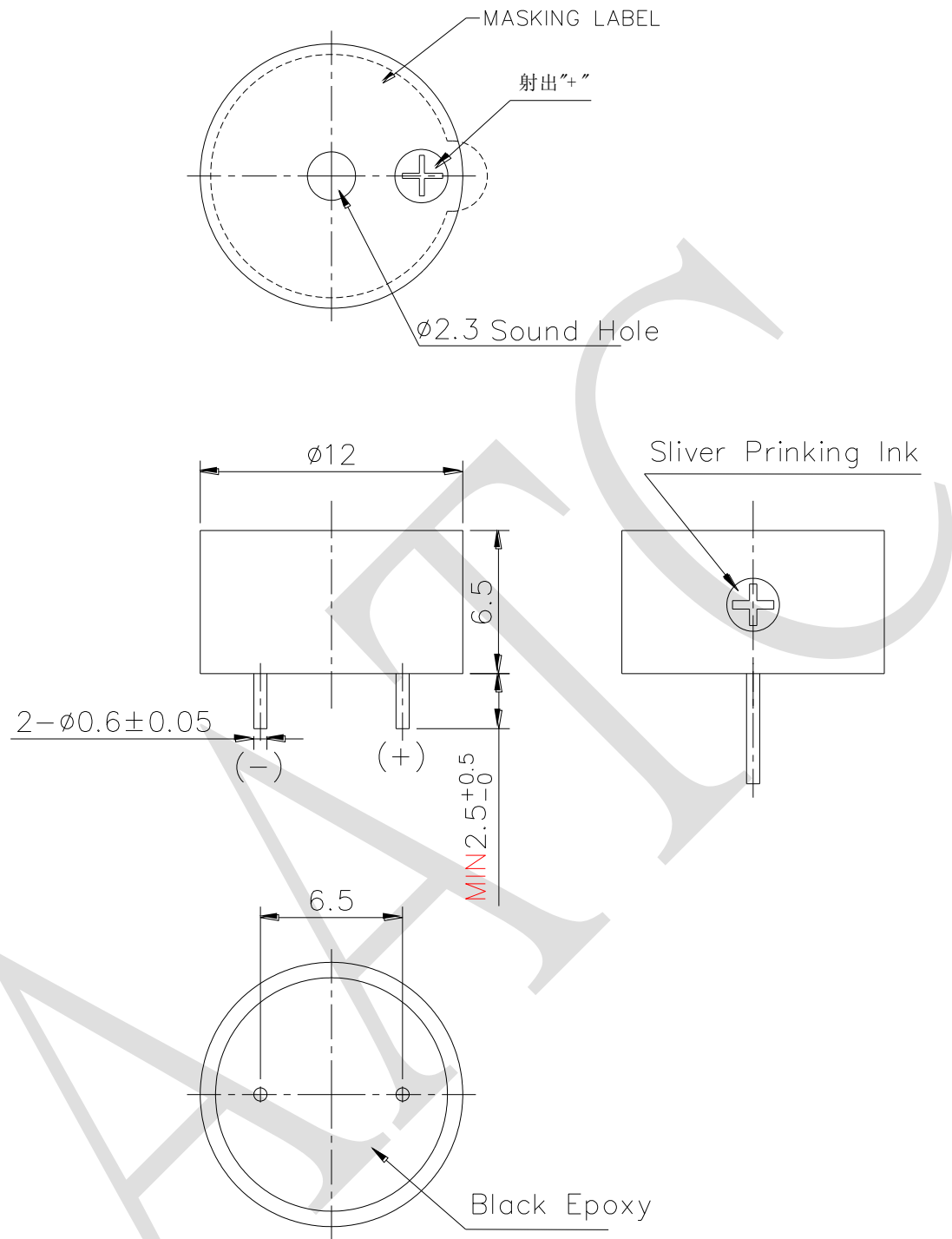


# 1. SPECIFICATION

AC-1205V-P8 (RoHS)

ITEM		UNITS	SPECIFICATIONS	CONDITIONS
01	Rated Voltage	V	5.0	
02	Operating Voltage	V	3.0~ 8.0	
03	Consumption Current	mA (Max)	Mean : 50	Applying rated voltage, rated frequency Square wave, 1/2 duty subject to standard state.
			Peak : 150	
04	Direct Current Resistance	$\Omega$	47±5	
05	Sound Output (Distance at 10cm )	dBA (Min)	85	Applying rated voltage, rated frequency Square wave, 1/2 duty subject to standard state.
06	Rated Frequency	Hz	2400	

REV NO.	REVISION NOTE	APPROVAL	DATE
---------	---------------	----------	------



注意：PIN脚过短易造成吃锡不良

RoHS

TITLE: ELECTRO MAGNETIC BUZZER		DRAWN: Sara	2012-12-21	SCALE: 4:1	SHEET: 1 of 1
PART NO. AC-1205V-P8		DESIGNED: R&D OF AAT	UNITS: mm		
DWG NO. SH-C122103	2 REV	CHECKED:	TOLERANCE ± 0.5		
		APPROVAL:	UNLESS OTHERWISE SPECIFIED:		
		MATERIAL: PBT	ONE PLACE DECIMAL ± ***		
			TWO PLACE DECIMAL ± ***		
			THREE PLACE DECIMAL ± ***		



ADVANCED ACOUSTIC TECHNOLOGY CORPORATION

For more information, please contact AATC.

AATC