


1. SPECIFICATION

AS-903Q-LF

ITEM		UNITS	SPECIFICATIONS	CONDITIONS
01	Rated Voltage	V	3.0	
02	Operating Voltage	V	2.0 ~ 5.0	
03	Consumption Current	mA (Max)	Mean : 90	Applying rated voltage, rated frequency Square wave, 1/2 duty subject to standard state.
			Peak : 270	
04	Direct Current Resistance	Ω	15±2	
05	Sound pressure level (Distance at 10cm)	dBA (Min)	85	Applying rated voltage, rated frequency Square wave, 1/2 duty subject to standard state.
06	Rated Frequency	Hz	2731	

REV NO.

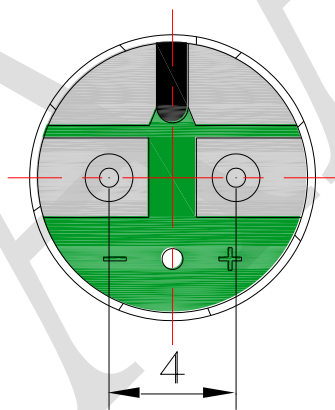
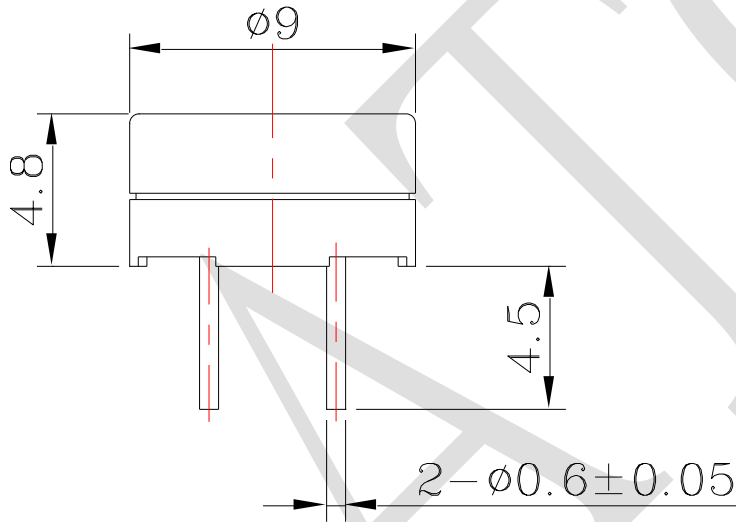
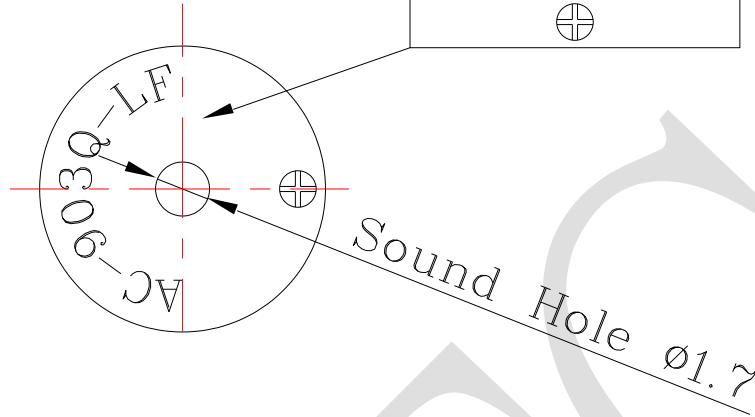
REVISION NOTE

APPROVAL

DATE

Print

AS-903Q-LF



RoHS

TITLE: ELECTRO MAGNETIC BUZZER

DRAWN: Jerry 2013/01/28

SCALE: 4:1 SHEET: 1 of 1

PART NO. AS-903Q-LF

DESIGNED: R&D OF AAT

UNITS: mm

2

CHECKED:

TOLERANCE ± 0.5

DWG NO. SHSG0903D

APPROVAL:

UNLESS OTHERWISE SPECIFIED:

ONE PLACE DECIMAL ± ***

TWO PLACE DECIMAL ± ***

THREE PLACE DECIMAL ± ***

REV

MATERIAL: PPO



ADVANCED ACOUSTIC TECHNOLOGY CORPORATION

For more information, please contact AATC.

AATC