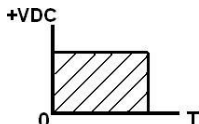
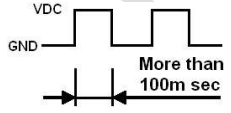
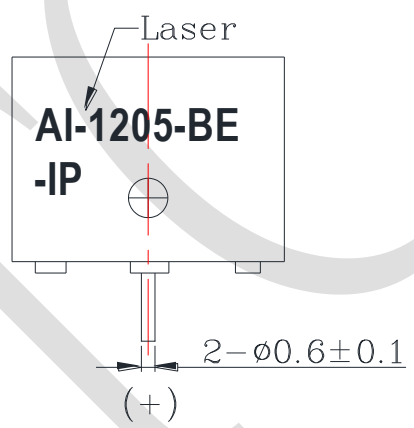
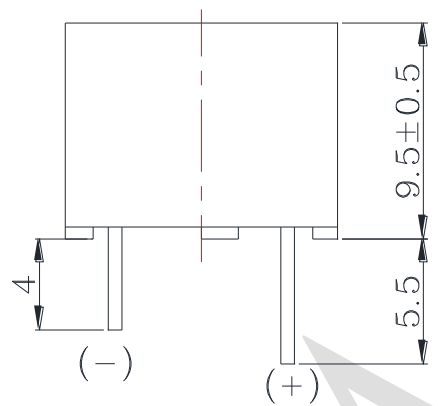
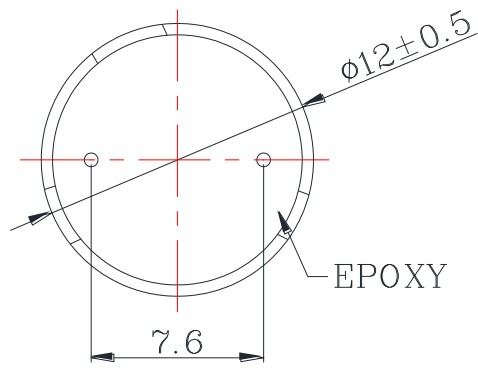


1. SPECIFICATION

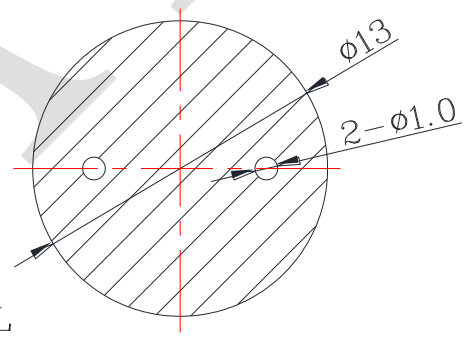
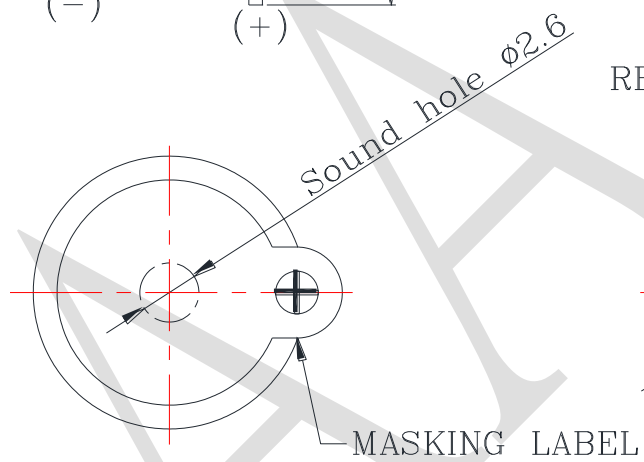
AI-1205-BE-IP

ITEM		UNITS	SPECIFICATIONS	CONDITIONS
01	Rated Voltage	V	5	
02	Operating Voltage	V	3 ~ 7	
03	Consumption Current	mA (Max)	30	Rated Voltage
04	Resonant Frequency	Hz	2300± 300	Rated Voltage
05	Response times	ms	≥ 100	
06	Sound pressure level	dB(A) Min.	85	Distance at 10cm Rated Voltage / Resonant Frequency

REV NO.	REVISION NOTE	APPROVAL	DATE
---------	---------------	----------	------



RECOMMENDED PCB LAYOUT



※Prohibit reverse polarity※

RoHS

TITLE: ELECTRO MAGNETIC BUZZER		DRAWN: Hank	2020-02-19	SCALE: 4:1	SHEET: 1 of 1
PART NO. AI-1205-BE-IP		DESIGNED: R&D OF AAT		UNITS: mm	
DWG NO. UGCM1205XP5.5/4.0IC-1		CHECKED:		TOLERANCE ± 0.5	
		APPROVAL:		UNLESS OTHERWISE SPECIFIED:	
REV 3		MATERIAL: PBT		ONE PLACE DECIMAL ± ***	
				TWO PLACE DECIMAL ± ***	
				THREE PLACE DECIMAL ± ***	



ADVANCED ACOUSTIC TECHNOLOGY CORPORATION

For more information, please contact AATC.

AATC