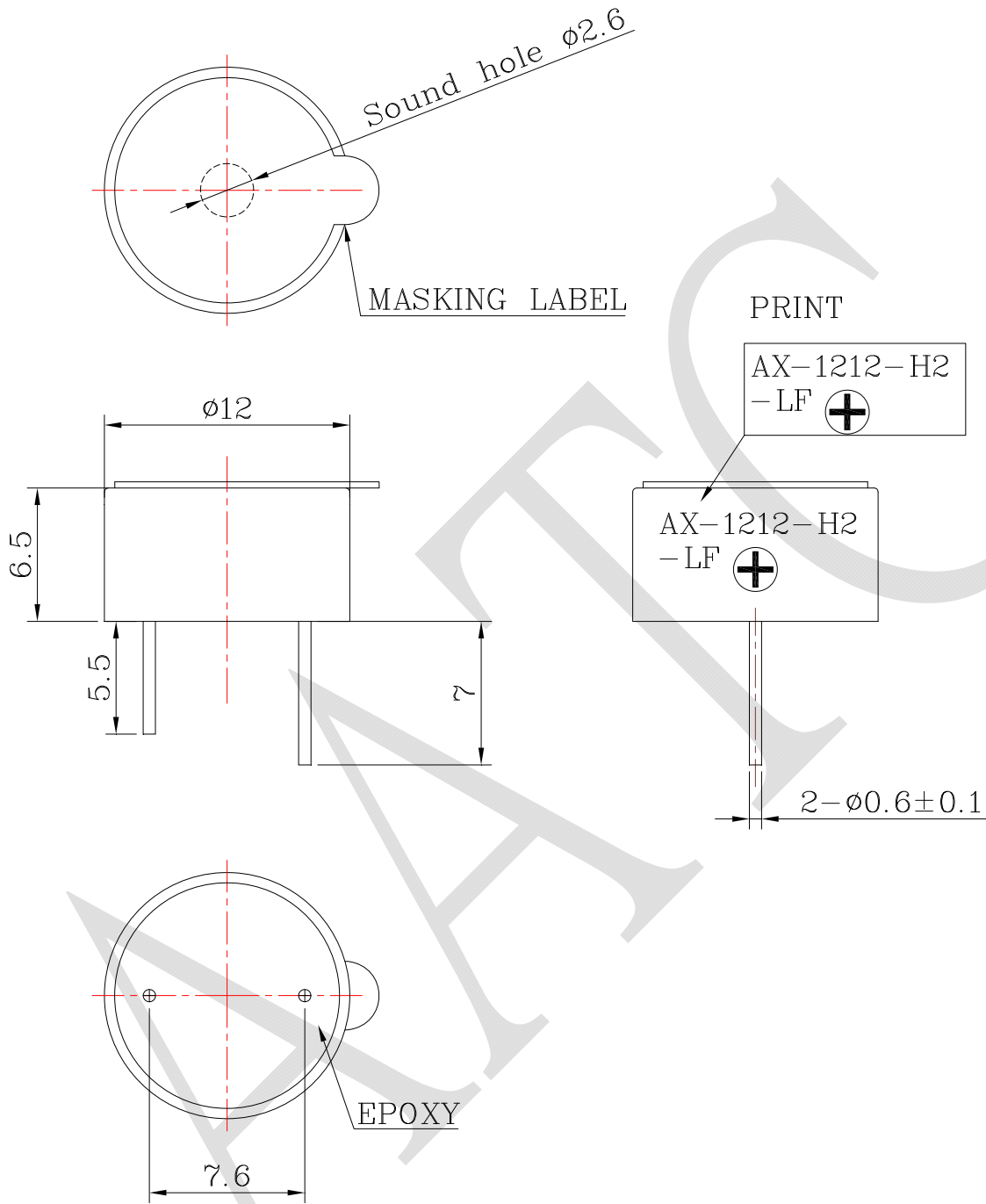


REV NO.	REVISION NOTE	APPROVAL	DATE
---------	---------------	----------	------



RoHS

TITLE: ELECTRO MAGNETIC BUZZER		DRAWN: <i>Jerry</i> 2013/03/29	SCALE: 4:1	SHEET: 1 of 1
PART NO. AX-1212-H2-LF		DESIGNED: R&D OF AAT	UNITS: mm	
DWG NO. UGCM1212GXP7.0/5.5	2 REV	CHECKED:	TOLERANCE ± 0.5	
		APPROVAL:	UNLESS OTHERWISE SPECIFIED:	
		MATERIAL: NORYL	ONE PLACE DECIMAL ± *** TWO PLACE DECIMAL ± *** THREE PLACE DECIMAL ± ***	



ADVANCED ACOUSTIC TECHNOLOGY CORPORATION