

MESSRS. 客戶公司行號

SPECIFICATION FOR APPROVAL

承 認 書

Product	PIEZO BUZZER (SELF DRIVE)
Part No.	AZ-1440S-P-LF (RoHS)
Customer Approval	
Customer Part No.	

Approved By	Checked By	Made By
		



Advanced Acoustic Technology Corporation
昊宸股份有限公司 // 常州笠翔电子有限公司



ISO 9001 Certified

ISO 14001 Certified

Head Company / 2F, No.207, Sec. 6, Chung Shan N. Rd., Taipei, Taiwan

Tel: +886-2-8866-5255

Fax: +886-2-8866-5250

<http://www.aatc.com.tw>

www.aatc.com.cn

1. SPECIFICATION

AZ-1440S-P-LF (RoHS)

ITEM		UNITS	SPECIFICATIONS	CONDITIONS
01	Rated Voltage	V	12	VDC
02	Operating Voltage	V	3~ 16	
03	Rated Current	mA(Max)	12	Rated Voltage
04	Sound Output (Distance at 10cm)	dBA(Min)	80	Rated Voltage Rated Frequency
05	Rated Frequency	Hz	4000	
06	Resonant Frequency	Hz	4000± 500	
07	Tone Nature	Single		
08	Operating Temp.	°C	-30 ~ +80	
09	Storage Temp.	°C	-40 ~ +85	
10	Weight	g	1.0	

2. MEASURING METHOD

2-1. Test Condition

STANDARD

Temperature : 15 ~ 35°C

Relative humidity : 25% ~ 85%,

Atmospheric pressure : 860mbar to 1060mbar.

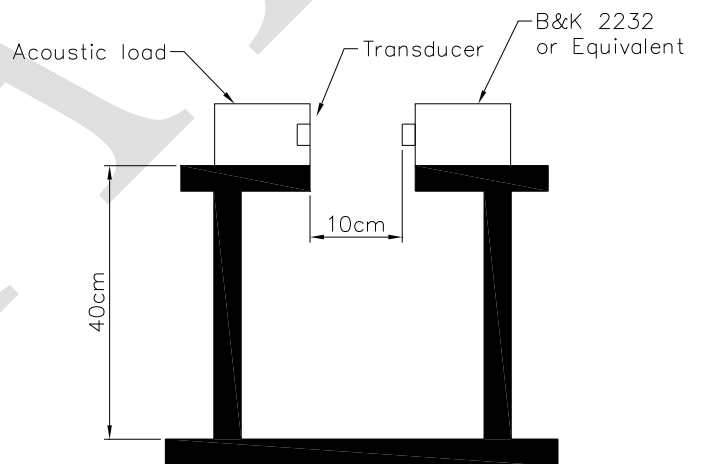
JUDGEMENT

Temperature : 20±3°C

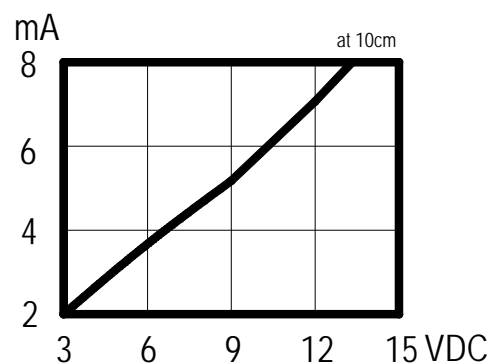
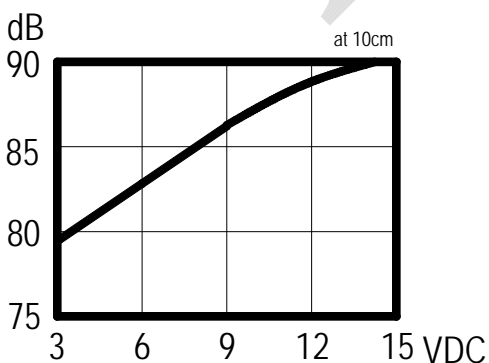
Relative humidity : 60% ~ 70%,

Atmospheric pressure : 860mbar to 1060mbar

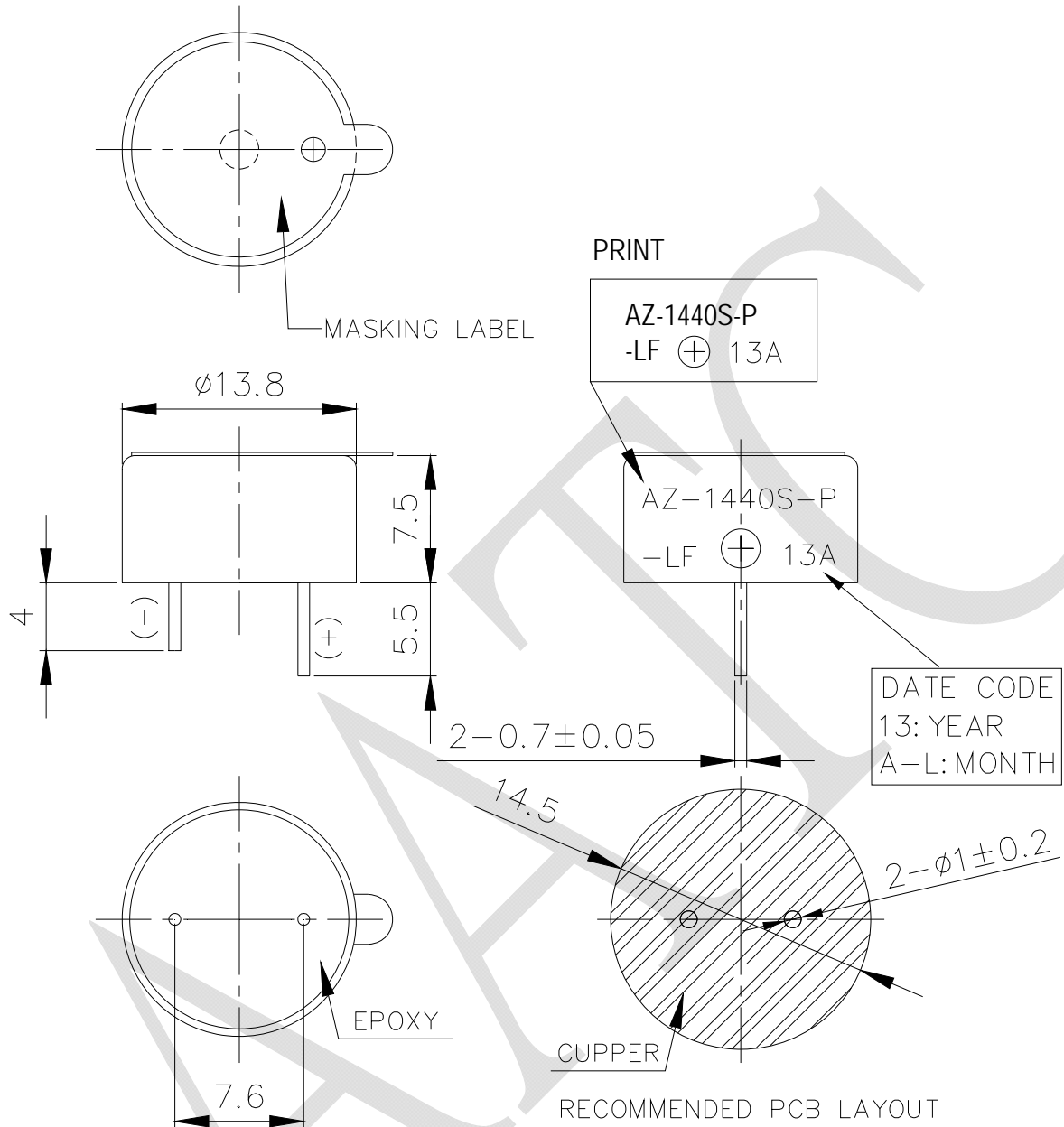
2-2. Standard Test Fixture



2-3. Frequency Response Curve



REV NO.	REVISION NOTE	APPROVAL	DATE
---------	---------------	----------	------



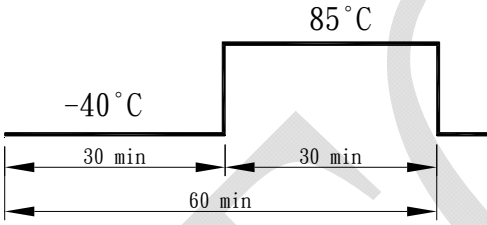
RoHS

TITLE:	PIEZO BUZZER	DRAWN:	Zack	2016/05/03	SCALE:	2:1	SHEET:	1 of 1
PART NO.	AZ-1440S-P-LF	DESIGNED:	R & D OF AAT		UNITS:	mm		
DWG NO.	UGPM14AX4012P	CHECKED:			TOLERANCE	± 0.5		
		APPROVAL:			UNLESS OTHERWISE SPECIFIED:	ONE PLACE DECIMAL \pm ***		
		MATERIAL:	NORYL		TWO PLACE DECIMAL \pm ***			
					THREE PLACE DECIMAL \pm ***			



ADVANCED ACOUSTIC TECHNOLOGY CORPORATION

4. RELIABILITY TESTS

Item	Test conditions	Evaluation standard
01 High temp. Storage life	The part shall be capable of withstanding a storage Temperature of +85°C for 96 hours.	<ol style="list-style-type: none"> After the test the part shall meet specifications without any degradation in appearance and performance except S.P.L S.P.L shall be ± 7 dB. After solder bath, the cooling time must be longer than 2 hours before function test. If you need more information, please contact our technology department, thank you.
02 Low temp. Storage life	The part shall be capable of withstanding a storage Temperature of -40°C for 96 hours.	
03 Temp. cycle	<p>The part shall be subjected 10 cycles. One cycle shall of ;</p> 	
04 Temp./Humidity cycle	The part shall be subjected with 90-95% R.H at +40°C for 96 hours.	
05 Free drop	The part only shall be dropped from a height of 75cm onto a 40mm thick wooden board 3 times in 3 axes (X.Y.Z). (a total of 9 times).	
06 Lead Strength	Pull lead with a force of 10N, on the direction of the lead axis for 10 :10 \pm 1 sec	
07 Vibration	<p>The part shall be subjected to a vibration cycle of 10Hz to 55Hz to 10Hz in a period of 1 minute. Total peak amplitude shall be 1.52mm (9.3G). The vibration test shall consist of 2 hours per plane in each three mutually perpendicular planes for a total time of 6 hours.</p>	

5. SOLDERING CONDITION

5-1. Recommend using constant searing-iron in temperature range $360\pm 5^{\circ}\text{C}$ / ≤ 2 Sec.

5-2. The wave soldering profile please refer to the **figure 1**.

Figure 1

